

Project \_\_\_\_\_  
 Item \_\_\_\_\_  
 Quantity \_\_\_\_\_  
 FCSI Section 11400 \_\_\_\_\_  
 Approved \_\_\_\_\_  
 Date \_\_\_\_\_

## 28" OPEN TYPE STANDS

REMOVABLE DRAIN DRAWER  
 WITH SPLASH SHIELD,  
 ALL STAINLESS STEEL

### Models

- ST-28



### Standard Features

- All Stainless Steel construction with 1 1/4" square tubing
  - Adjustable Feet (rear feet are flanged for Floor Bolting)
  - Removable combination Drain Drawer (with Splash Shield) and Pan Support
  - Ideal for mounting table type kettles, mixer kettles and skillets (models KET-3-T, KET-6-T, KET-12-T, KDT-3-T\*, KDT-6-T\*, KDT-12-T\*, KDT-20-T\*, MKET-12-T, MKDT-12-T, SET-15, SET-10).
- \* Requires Direct Steam Adaptor Top accessory

### Options & Accessories

- Direct Steam Adaptor Top (AK)

### Short Form Specifications

Shall be CLEVELAND, Open Type Equipment Stand with removable Drain Drawer, Splash Shield and Adaptor Top (optional), Model ST-28. All Stainless Steel construction with 1 1/4" square tubing. Furnished with Level Adjustable Feet (rear feet are flanged for Floor Bolting).

ALL STAINLESS STEEL

### Models

- ES-28



### Standard Features

- Adjustable Feet (rear feet are flanged for Floor Bolting)
  - Ideal for mounting table type kettles, mixer kettles and skillets (models KET-3-T, KET-6-T, KET-12-T, KDT-3-T\*, KDT-6-T\*, KDT-12-T\*, KDT-20-T\*, MKET-12-T, MKDT-12-T, SET-15, SET-10).
- \* Requires Direct Steam Adaptor Top accessory

### Options & Accessories

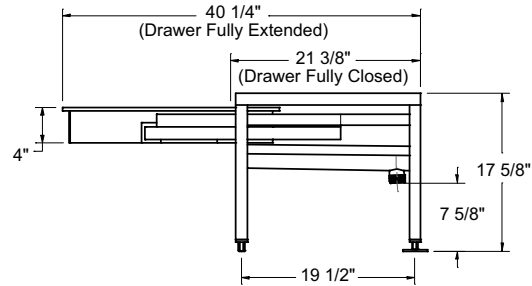
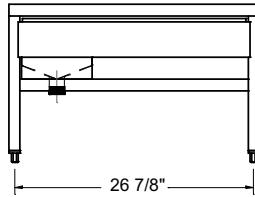
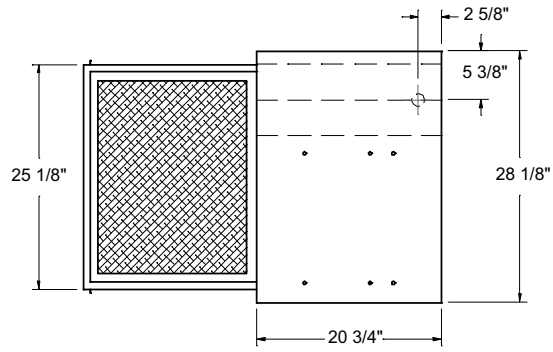
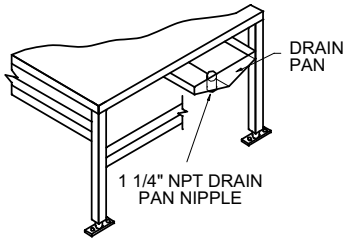
- Direct Steam Adaptor Top (AK)

### Short Form Specifications

Shall be CLEVELAND, Open Type Equipment Stand with Adaptor Top (optional), Model EST-28. All Stainless Steel construction with 1 1/4" square tubing. Furnished with Level Adjustable Feet (rear feet are flanged for Floor Bolting).

KE004046-95

REAR VIEW / DRAIN PAN DETAIL


**MOUNTING OPTIONS (SELECT ANY ONE UNITS PER STAND)**

<p><b>KDT-3-T</b> DIRECT STEAM ADAPTOR TOP REQUIRED (AK) REAR CLEARANCE - 0"</p>	<p><b>KDT-6-T</b> DIRECT STEAM ADAPTOR TOP REQUIRED (AK) REAR CLEARANCE - 0"</p>	<p><b>KDT-12-T</b> DIRECT STEAM ADAPTOR TOP REQUIRED (AK) REAR CLEARANCE - 0"</p>	<p><b>KDT-20-T</b> DIRECT STEAM ADAPTOR TOP REQUIRED (AK) REAR CLEARANCE - 2" MIN</p>
<p><b>KET-3-T</b> REAR CLEARANCE - 0"</p>	<p><b>KET-6-T</b> REAR CLEARANCE - 0"</p>	<p><b>KET-12-T</b> REAR CLEARANCE - 0" REAR CLEARANCE - 1" MIN</p>	
<p><b>KGT-6-T</b> REAR CLEARANCE - 2" MIN</p>	<p><b>KGT-12-T</b> REAR CLEARANCE - 4 1/2" MIN</p>	<p><b>SET-10</b> REAR CLEARANCE - 2 1/2" MIN RIGHT SIDE CLEARANCE - 6" MIN</p>	<p><b>SET-15</b> (1 only) REAR CLEARANCE - 2 1/2" MIN RIGHT SIDE CLEARANCE - 6" MIN</p>

**NOTES:**

Cleveland Range reserves right of design improvement or modification, as warranted.  
 Many regional, state and local codes exist and it is the responsibility of the owner and installer to comply with the codes.  
 Installations of Back Flow Preventers, Vacuum Breakers and other specific code requirements are the responsibility of the Owner and Installer.  
 Cleveland Range equipment is built to comply with applicable standards for manufacturers. Included among those approval agencies are U.L., NSF, CGA, CSA, ETL and others..

(NOT TO SCALE)